



DR. LOGISTIC

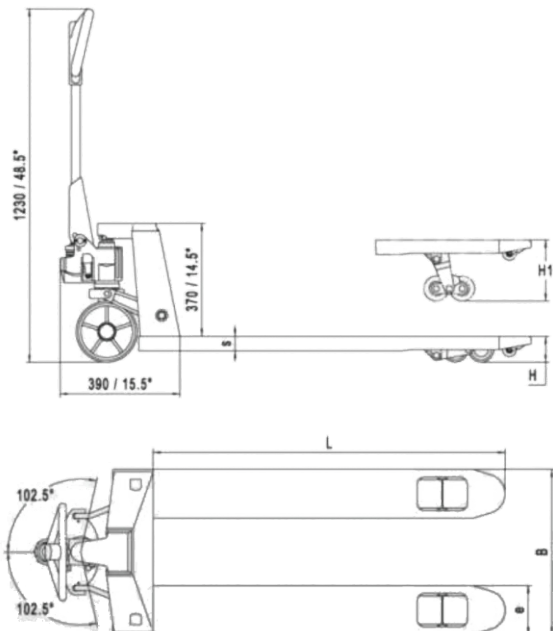
NOBLIFT Hand Pallet Truck



* Hand pallet truck designed for a variety of supermarkets, warehouses and cargo transportation.



Item / Type		OPK540X800O3T		OPK540X1150O3T		OPK685X1220O	
Capacity Q	kg	2500		3000		3000	
Min. Fork height h	mm	85	75	85	75	85	75
Max. Fork height h1	mm	200	190	200	190	200	190
Steering wheel	mm	Φ200×50	Φ180×50	Φ200×50	Φ180×50	Φ200×50	Φ180×50
Load roller Single	mm	Φ82×93	Φ74×93	Φ82×93	Φ74×93	Φ82×93	Φ74×93
Load roller Tandem	mm	Φ82×70	Φ74×70	Φ82×70	Φ74×70	Φ82×70	Φ74×70
Size of fork e*s	mm	160×50		160×50		160×60	
Width overall forks B	mm	540		540		685	
Fork length l	mm	800		1150		1220	



Features :

- Ergonomically designed handle with comfortable rubber grip allows the optimized safety as well as comfortable. Three position operational handle lever for lifting, transporting and lowering purposes.
- Lower Position-to lower load, pull up on the finger tip control.
- Neutral Position-to place finger tip control in this position during pulling the truck or load.
- Lift Position-to raise load, push down on finger tip control, pump handle to raise the load.
- Excellent galvanized whole casting hydraulic pump, robust and durable, with fine control of lowering speed and overload valve, low routine maintenance.
- Additional entry and exit fork rollers guarantees for maximum stability and safety for transporting goods on slopes.