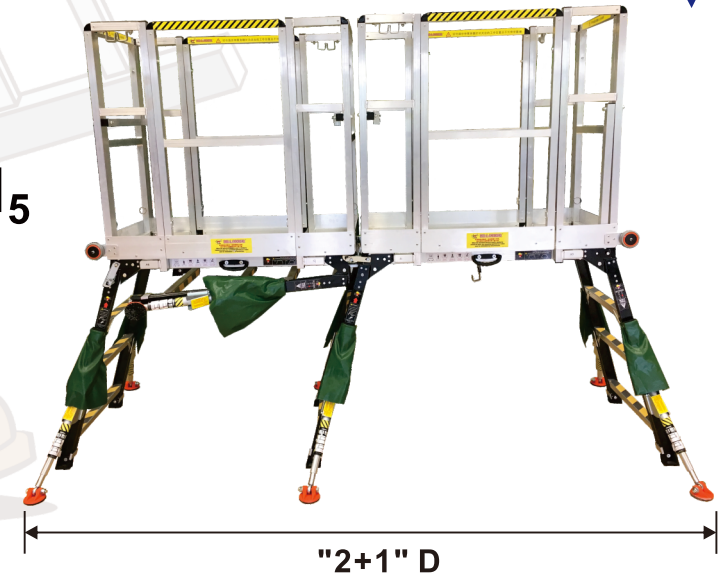
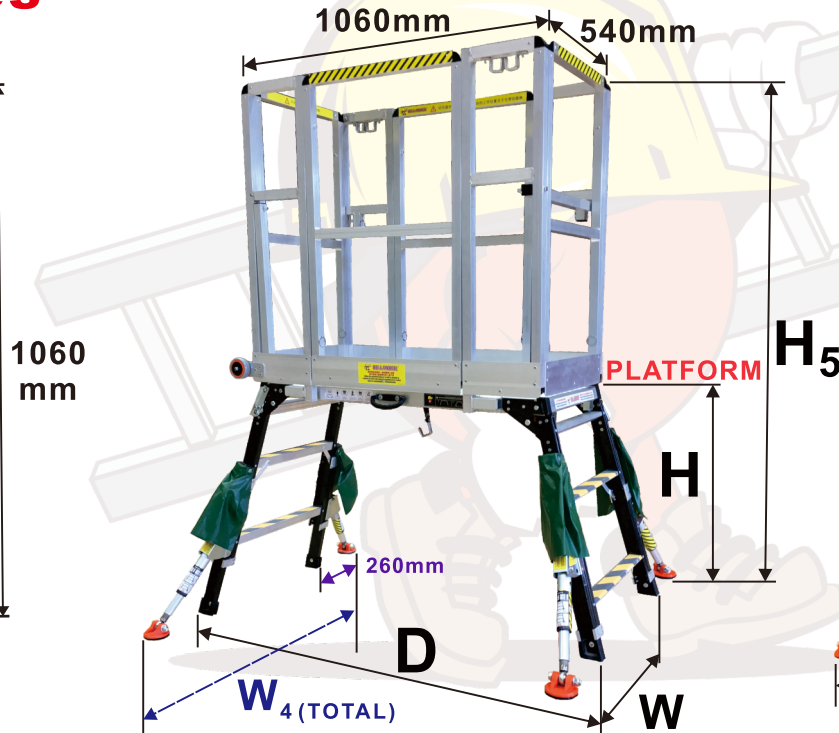
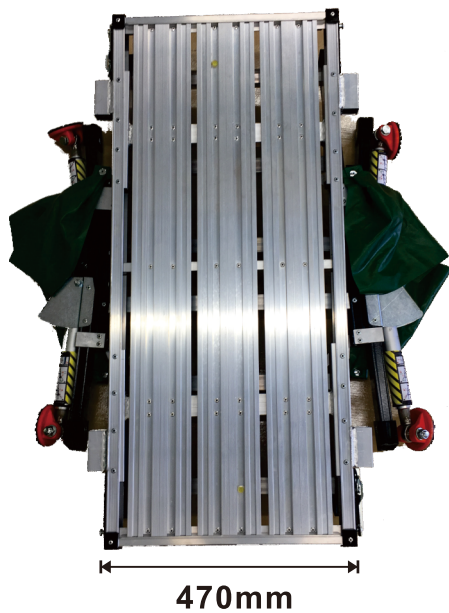


DR-LADDER



FIBERGLASS HOP-UP PLATFORM SPL - NFB Series

EN 131-7 / **FIBERGLASS**
MAX LOAD CAPACITY 150kg

LADDER SPECIFICATIONS

"2+1" Fiberglass Hop-up Platform

Model	Dimensions (mm)						Total Weight (kg)	"2+1" Total Weight (kg)
	D	"2+1" D	W	W ₄	H	H ₅		
SPL - NFB008 - 07	1464 ~ 1544	2380 ~ 2564	632 ~ 654	1152 ~ 1174	719 ~ 871	1676 ~ 1825	32	64
SPL - NFB008 - 10	1584 ~ 1683	2486 ~ 2685	665 ~ 687	1185 ~ 1207	945 ~ 1093	1899 ~ 2061	34.5	70