

DR.SCAFFOLD

AUTHENTICATION

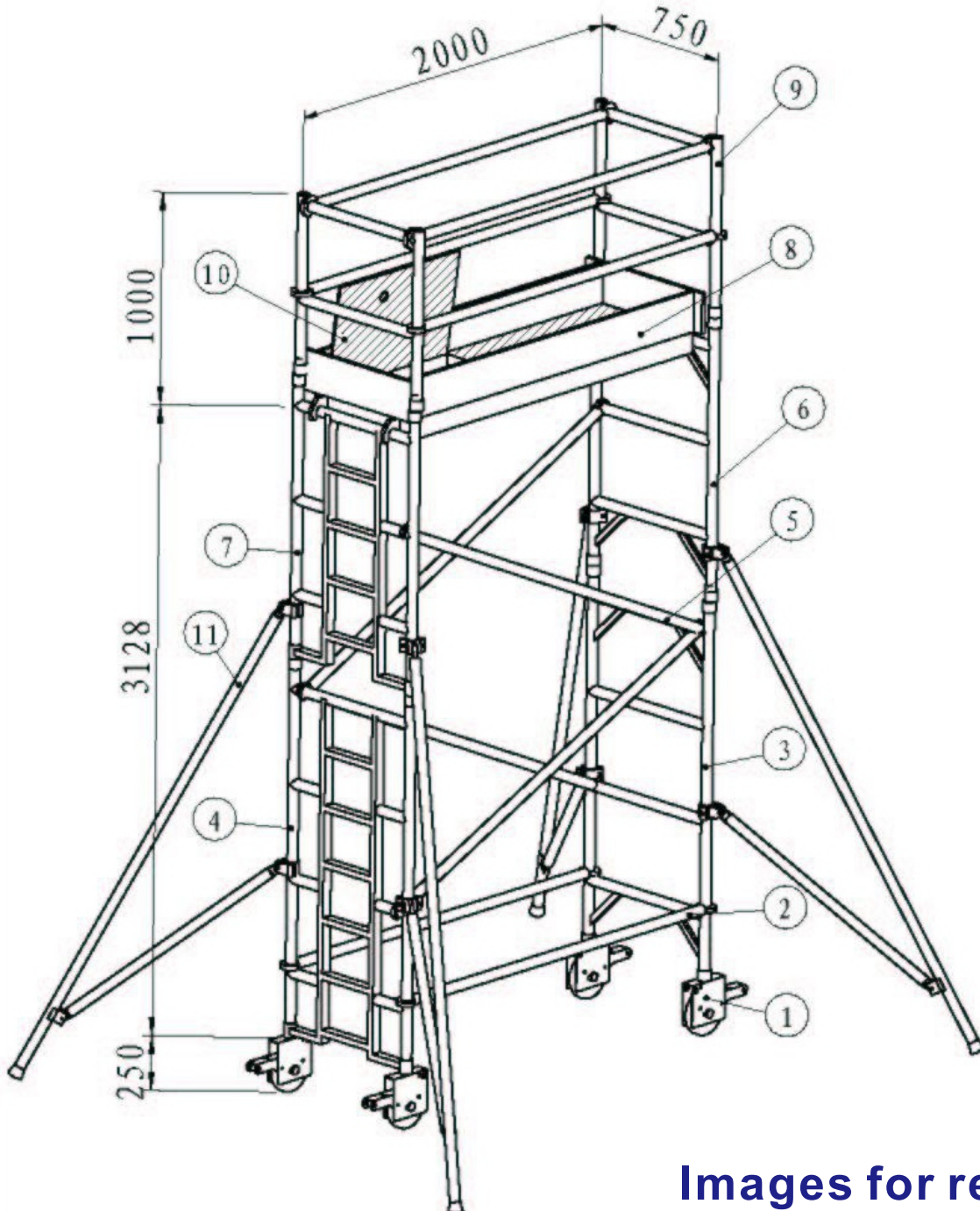
BS EN 1004:2004

WPK203 ALUMINIUM FRAME PACKAGE

SINGLE WIDTH LADDER FRAME

TOWER HEIGHT 4380mm
MAX PLATFORM HEIGHT 3380mm

Item	Code No	Description	Qty
1	CW209057	WICKE DS XY 6" PU CASTER	4
2	PHB1	2.0M HORIZONTAL BRACES	6
3	P4RS	SINGLE WIDTH 4 RUNG SPAN	1
4	P4RLS	SINGLE WIDTH 4 RUNG LADDER	1
5	PDB1	2.205M DIAGONAL BRACES	4
6	P3RS	SINGLE WIDTH 3 RUNG SPAN	1
7	P3RLS	SINGLE WIDTH 3 RUNG LADDER	1
8	TW2	SINGLE WIDTH TOEBOARD SETS	1
9	PGRS	SINGLE WIDTH GUARDRAIL	2
10	PTP1	2.0M TRAPDOOR PLATFORM	1
11	PSTA1	3.2M ADJUSTMENT STABILIZERS	4
12	KOU1	D BUCKLE	8



Images for reference Only