

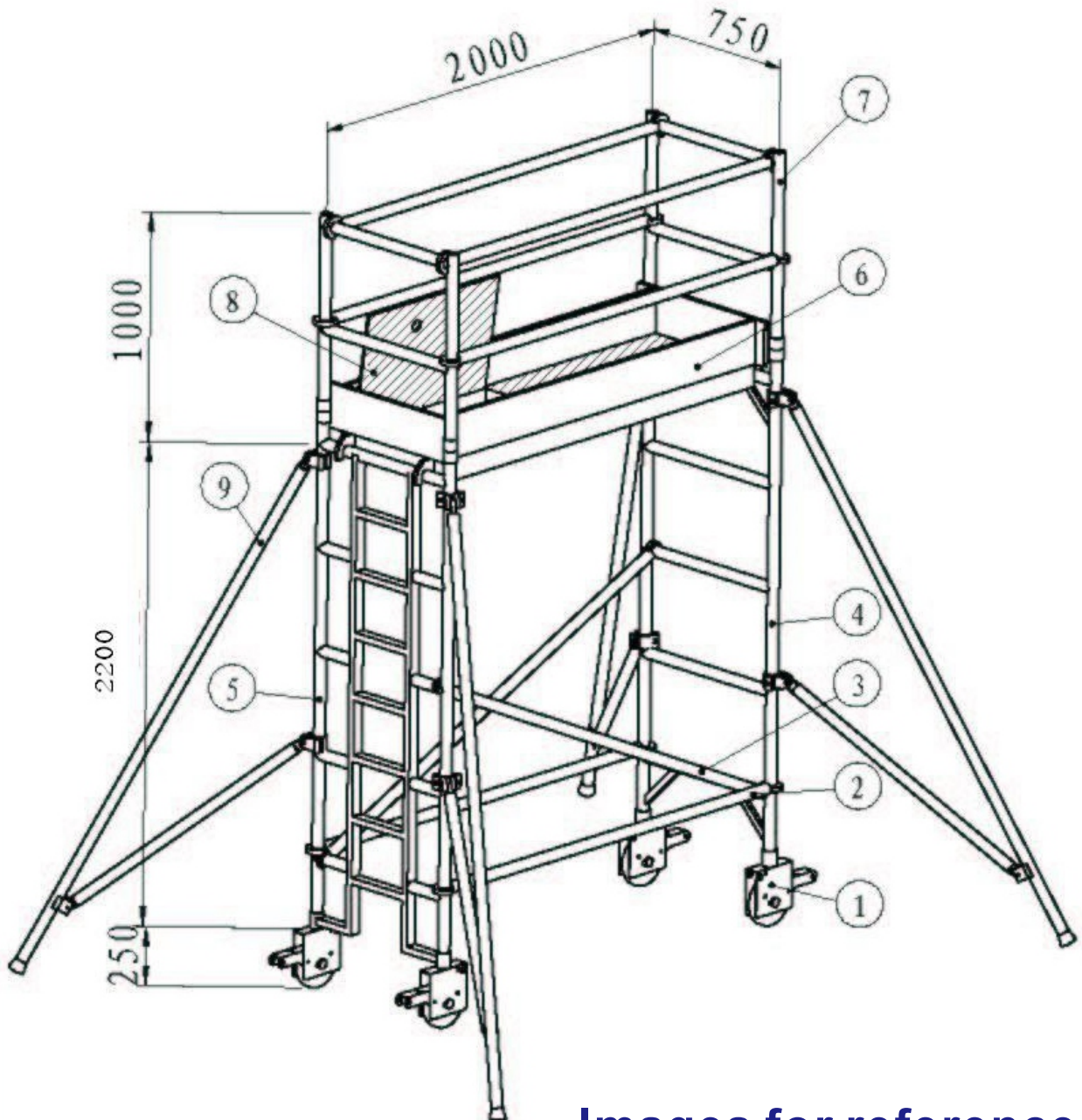
DR.SCAFFOLD
AUTHENTICATION
BS EN 1004:2004

WPK201 ALUMINIUM FRAME PACKAGE

SINGLE WIDTH LADDER FRAME

TOWER HEIGHT 3450mm
 MAX PLATFORM HEIGHT 2450mm

Item	Code No	Description	Qty
1	CW209057	WICKE DS XY 6" PU CASTER	4
2	PHB1	2.0M HORIZONTAL BRACES	6
3	PDB1	2.205M DIAGONAL BRACES	2
4	P5RS	SINGLE WIDTH 5 RUNG SPAN	1
5	P5RLS	SINGLE WIDTH 5 RUNG LADDER	1
6	TW2	SINGLE WIDTH TOEBOARD SETS	1
7	PGRS	SINGLE WIDTH GUARDRAIL	2
8	PTP1	2.0M TRAPDOOR PLATFORM	1
9	PSTA1	3.2M ADJUSTMENT STABILIZERS	4
10	KOU1	D BUCKLE	4



Images for reference Only