

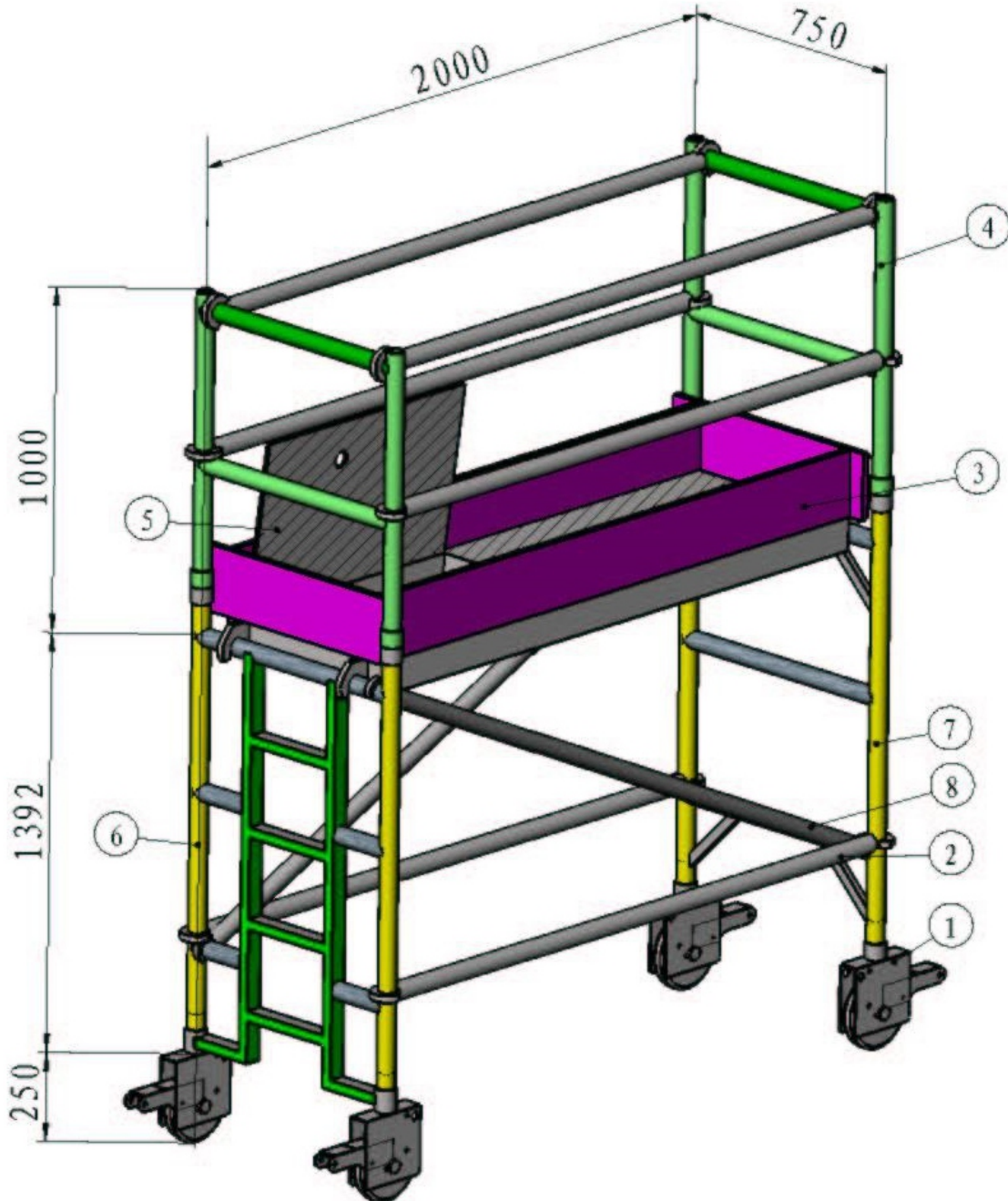
DR.SCAFFOLD
AUTHENTICATION
BS EN 1004:2004

WPK200A ALUMINIUM FRAME PACKAGE

SINGLE WIDTH LADDER FRAME

TOWER HEIGHT 2530mm
 MAX PLATFORM HEIGHT 1530mm

Item	Code No	Description	Qty
1	CW209057	WICKE DS XY 6" PU CASTER	4
2	PHB1	2.0M HORIZONTAL BRACES	6
3	TW2	SINGLE WIDTH TOEBOARD SETS	1
4	PGRS	SINGLE WIDTH GUARDRAIL	2
5	PTP1	2.0M TRAPDOOR PLATFORM	1
6	P3RLS	SINGLE WIDTH 3 RUNG LADDER	1
7	P3RS	SINGLE WIDTH 3 RUNG SPAN	1
8	PDB1	2.205M DIAGONAL BRACES	2
9	KOU1	D BUCKLE	4



Images for reference Only