

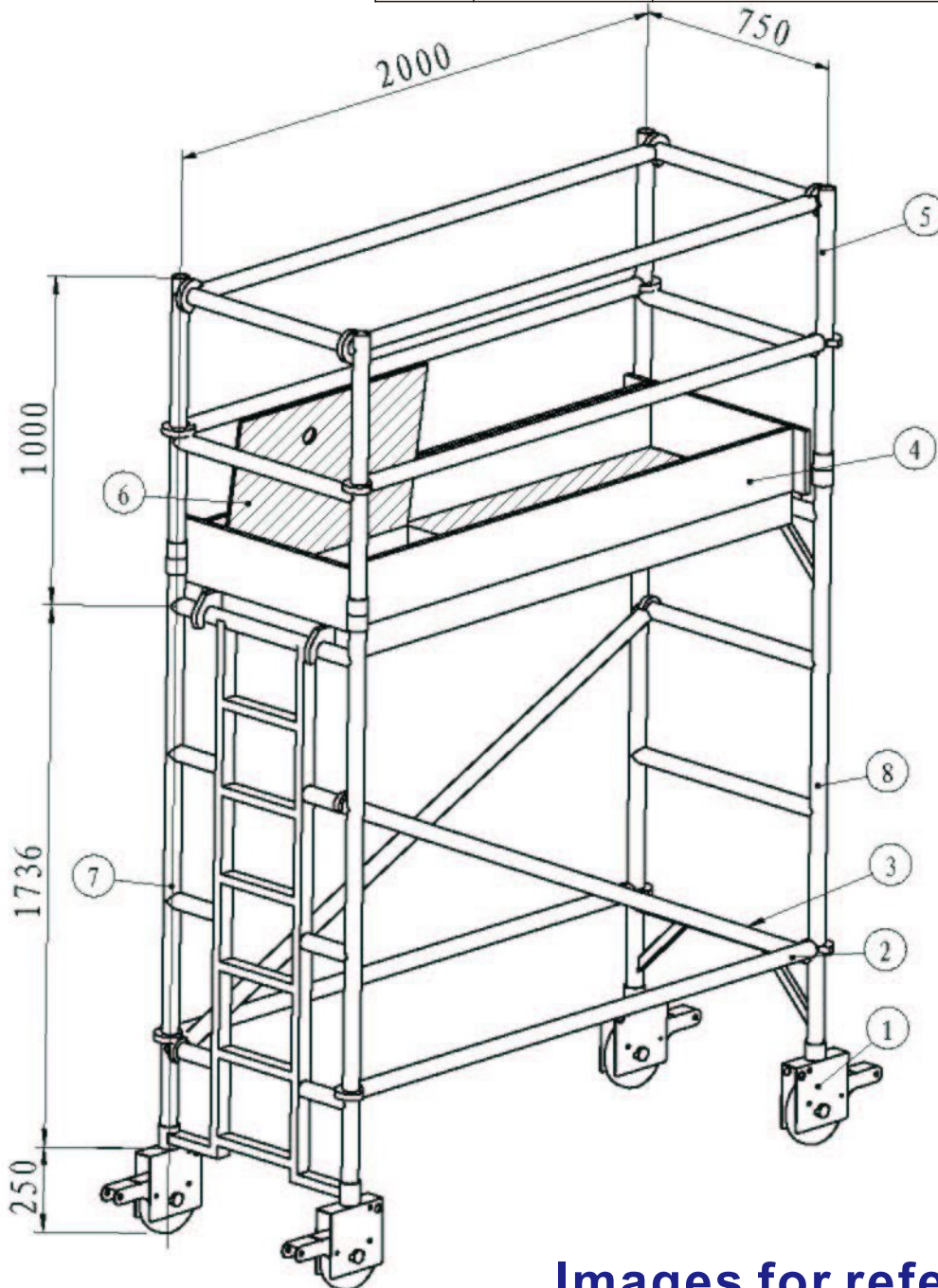
DR.SCAFFOLD
AUTHENTICATION
BS EN 1004:2004

WPK200 ALUMINIUM FRAME PACKAGE

SINGLE WIDTH LADDER FRAME

TOWER HEIGHT 2990mm
 MAX PLATFORM HEIGHT 1990mm

Item	Code No	Description	Qty
1	CW209057	WICKE DS XY 6" PU CASTER	4
2	PHB1	2.0M HORIZONTAL BRACES	6
3	PDB1	2.205M DIAGONAL BRACES	2
4	TW2	SINGLE WIDTH TOEBOARD SETS	1
5	PGRS	SINGLE WIDTH GUARDRAIL	2
6	PTP1	2.0M TRAPDOOR PLATFORM	1
7	P4RLS	SINGLE WIDTH 4 RUNG LADDER	1
8	P4RS	SINGLE WIDTH 4 RUNG SPAN	1
9	KOU1	D BUCKLE	4



Images for reference Only