

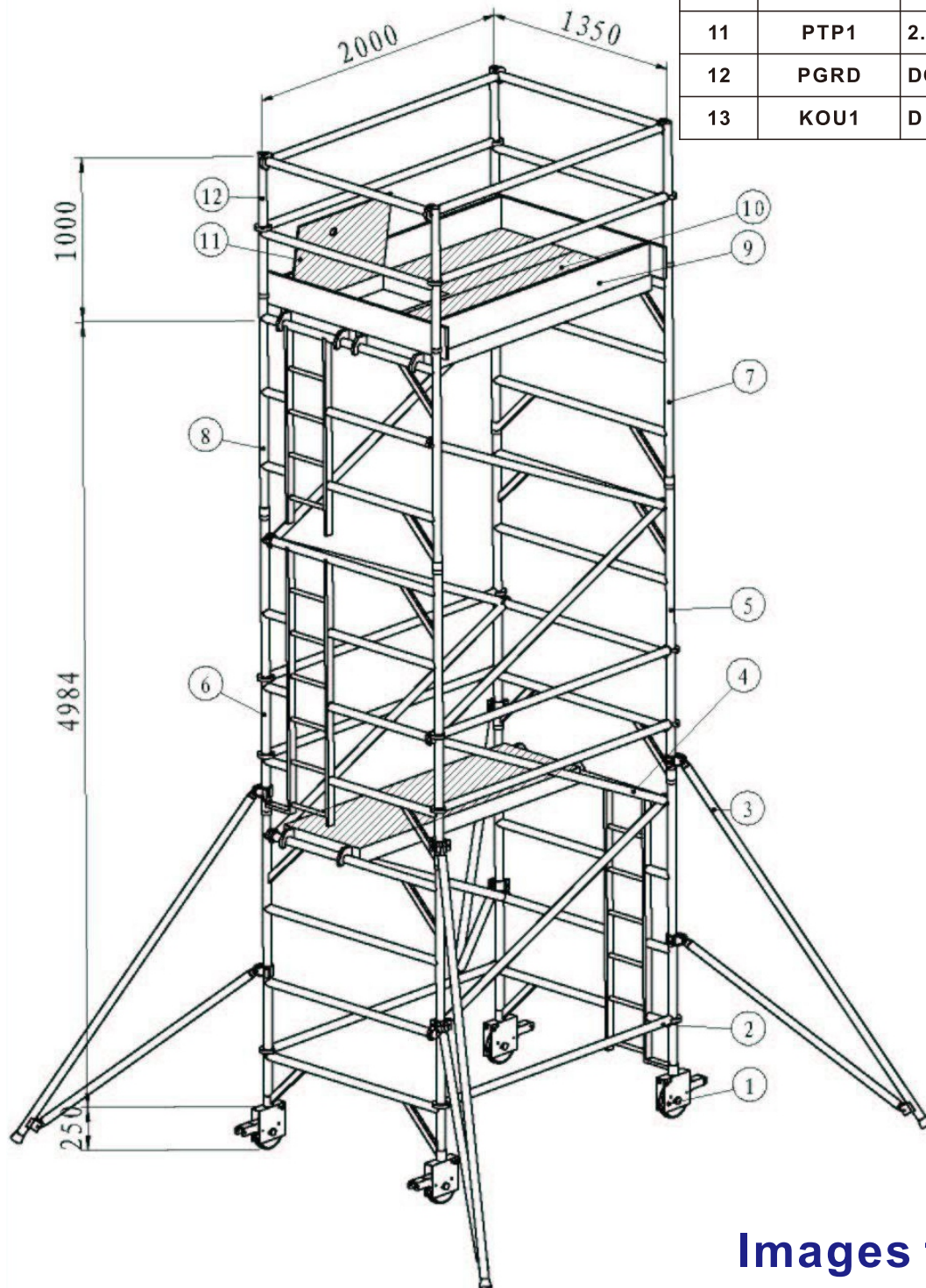
DR.SCAFFOLD
AUTHENTICATION
BS EN 1004:2004

WPK107 ALUMINIUM FRAME PACKAGE

DOUBLE WIDTH LADDER FRAME

TOWER HEIGHT 6230mm
 MAX PLATFORM HEIGHT 5230mm

Item	Code No	Description	Qty
1	CW209057	WICKE DS XY 6" PU CASTER	4
2	PHB1	2.0M HORIZONTAL BRACES	10
3	PSTA1	3.2M ADJUSTMENT STABILIZERS	4
4	PDB1	2.205M DIAGONAL BRACES	8
5	P4RD	DOUBLE WIDTH 4 RUNG SPAN	2
6	P4RLD	DOUBLE WIDTH 4 RUNG LADDER	2
7	P3RD	DOUBLE WIDTH 3 RUNG SPAN	1
8	P3RLD	DOUBLE WIDTH 3 RUNG LADDER	1
9	TW1	DOUBLE WIDTH TOEBOARD SETS	1
10	PTP1	2.0M TRAPDOOR PLATFORM	2
11	PTP1	2.0M TRAPDOOR PLATFORM	1
12	PGRD	DOUBLE WIDTH GUARDRAIL	2
13	KOU1	D BUCKLE	12



Images for reference Only