

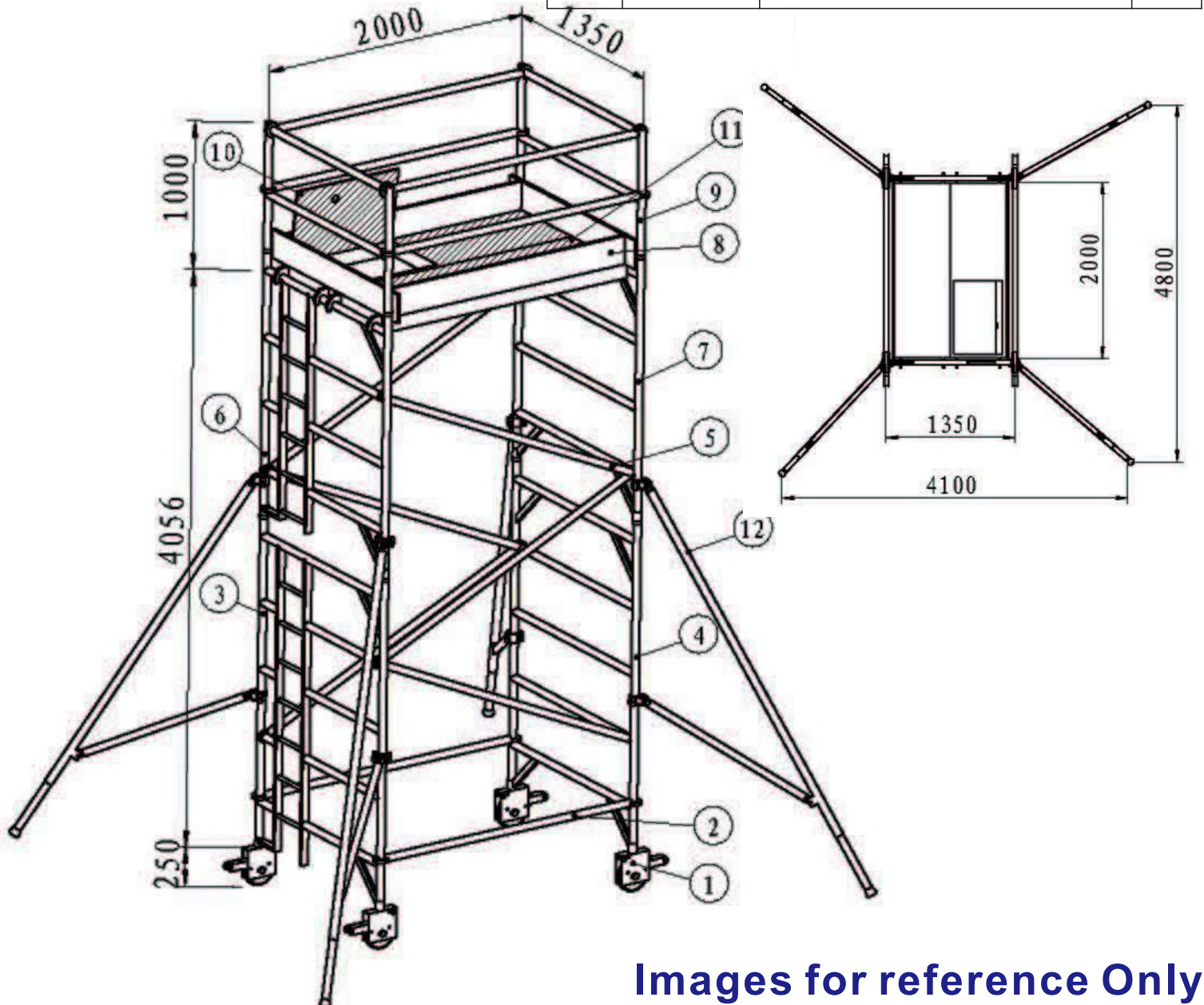
DR.SCAFFOLD
AUTHENTICATION
BS EN 1004:2004

WPK105 ALUMINIUM FRAME PACKAGE

DOUBLE WIDTH LADDER FRAME

TOWER HEIGHT 5310mm
 MAX PLATFORM HEIGHT 4310mm

Item	Code No	Description	Qty
1	CW209057	WICKE DS XY 6" PU CASTER	4
2	PHB1	2.0M HORIZONTAL BRACES	6
3	P5RLD	DOUBLE WIDTH 5 RUNG LADDER	1
4	P5RD	DOUBLE WIDTH 5 RUNG SPAN	1
5	PDB1	2.205M DIAGONAL BRACES	6
6	P4RLD	DOUBLE WIDTH 4 RUNG LADDER	1
7	P4RD	DOUBLE WIDTH 4 RUNG SPAN	1
8	TW1	DOUBLE WIDTH TOEBOARD SETS	1
9	PGRD	DOUBLE WIDTH GUARDRAIL	2
10	PTP1	2.0M TRAPDOOR PLATFORM	1
11	PTP1	2.0M TRAPDOOR PLATFORM	1
12	PSTA1	3.2M ADJUSTMENT STABILIZERS	4
13	KOU1	D BUCKLE	8



Images for reference Only