

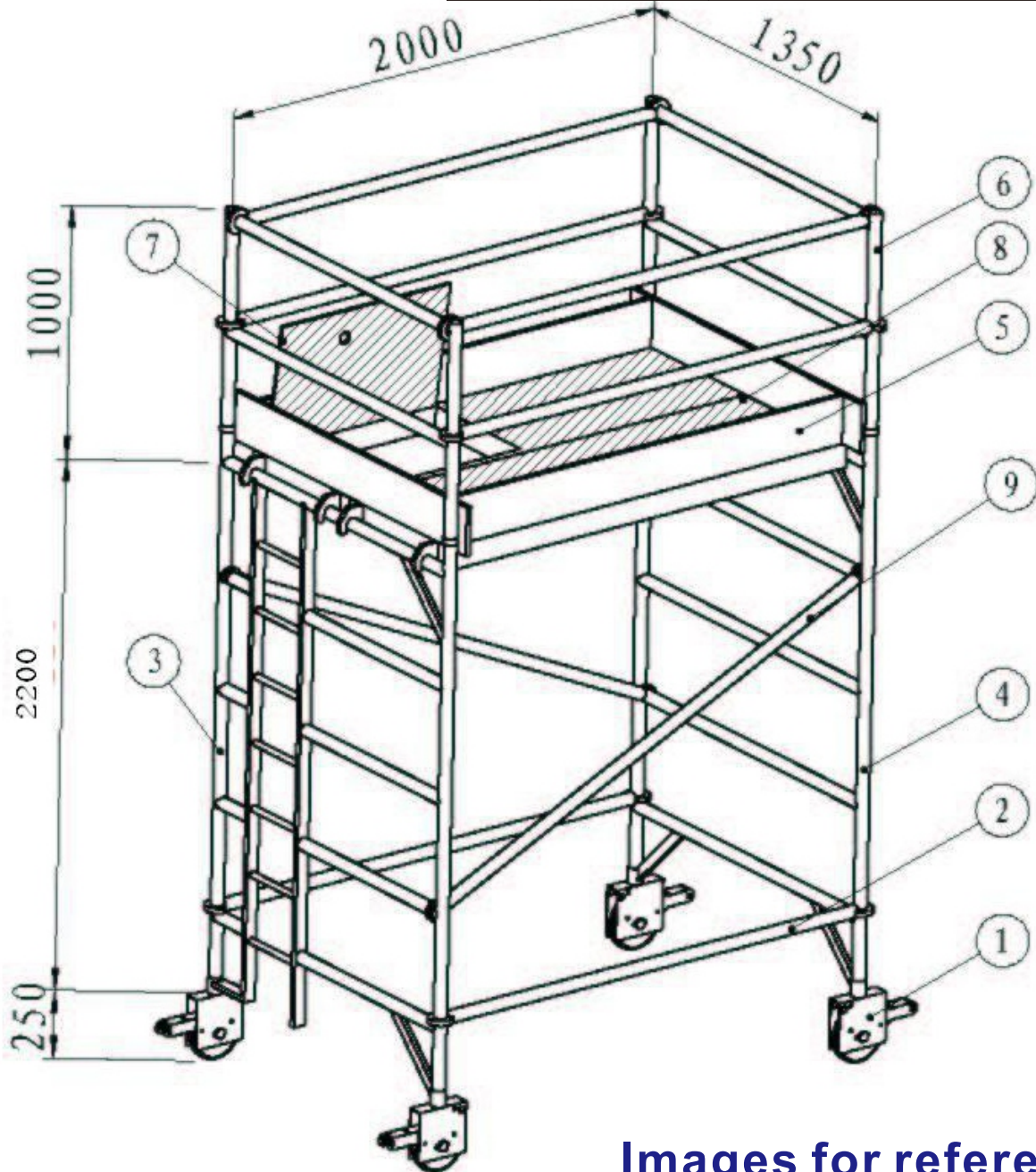
DR.SCAFFOLD
AUTHENTICATION
BS EN 1004:2004

WPK101 ALUMINIUM FRAME PACKAGE

DOUBLE WIDTH LADDER FRAME

TOWER HEIGHT 3450mm
 MAX PLATFORM HEIGHT 2450mm

Item	Code No	Description	Qty
1	CW209057	WICKE DS XY 6" PU CASTER	4
2	PHB1	2.0M HORIZONTAL BRACES	6
3	P5RLD	DOUBLE WIDTH 5 RUNG LADDER	1
4	P5RD	DOUBLE WIDTH 5 RUNG SPAN	1
5	TW1	DOUBLE WIDTH TOEBOARD SETS	1
6	PGRD	DOUBLE WIDTH GUARDRAIL	2
7	PTP1	2.0M TRAPDOOR PLATFORM	1
8	PTP1	2.0M TRAPDOOR PLATFORM	1
9	PDB1	2.205M DIAGONAL BRACES	2
10	KOU1	D BUCKLE	4



Images for reference Only