

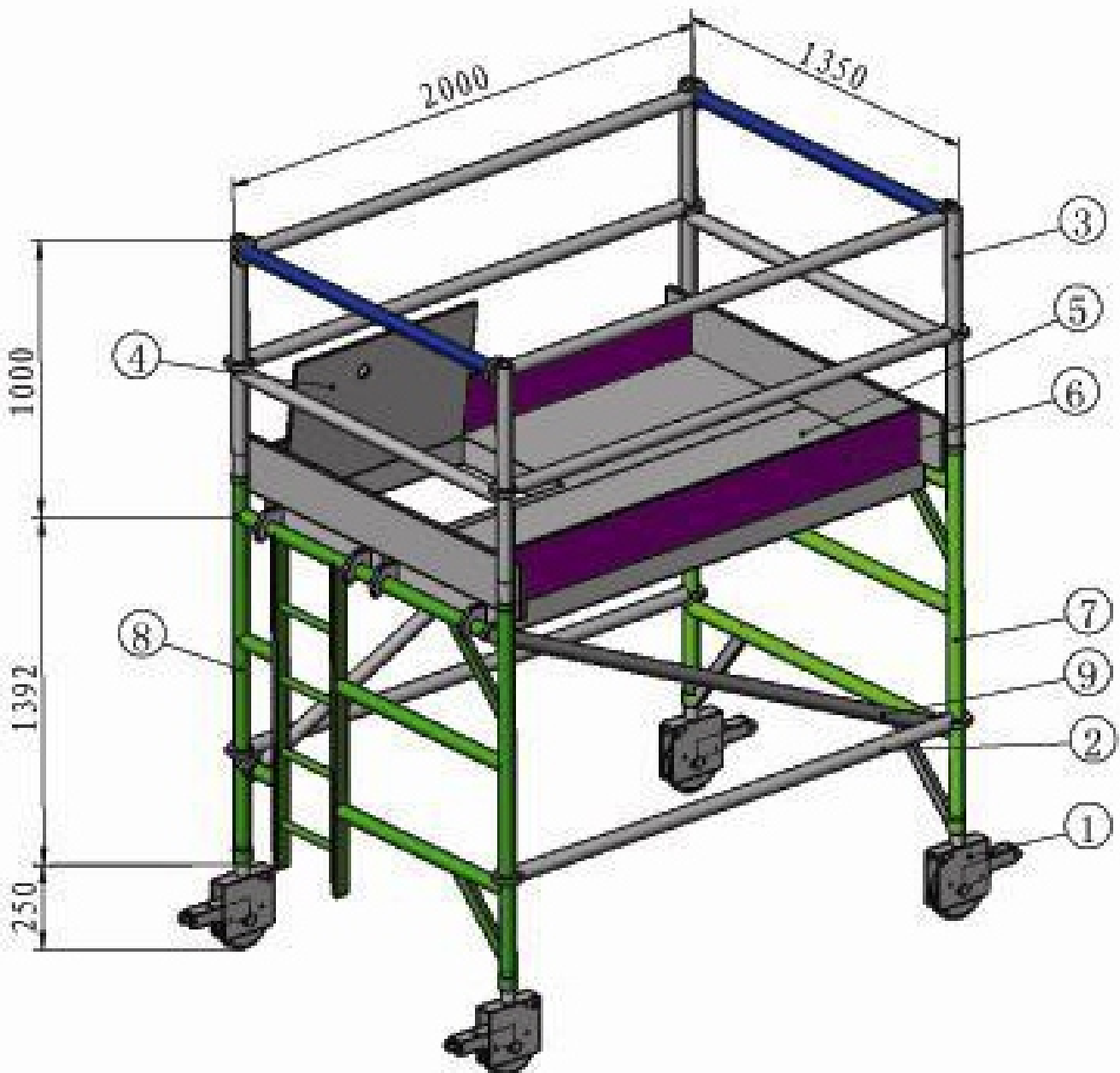
DR.SCAFFOLD
AUTHENTICATION
BS EN 1004:2004

WPK100A ALUMINIUM FRAME PACKAGE

DOUBLE WIDTH LADDER FRAME

TOWER HEIGHT 2530mm
 MAX PLATFORM HEIGHT 1530mm

| Item | Code No | Description | Qty |
|------|----------|----------------------------|-----|
| 1 | CW209057 | WICKE DS XY 6" PU CASTER | 4 |
| 2 | PHB1 | 2.0M HORIZONTAL BRACES | 6 |
| 3 | PGRD | DOUBLE WIDTH GUARDRAIL | 2 |
| 4 | PTP1 | 2.0M TRAPDOOR PLATFORM | 1 |
| 5 | PTP1 | 2.0M TRAPDOOR PLATFORM | 1 |
| 6 | TW1 | DOUBLE WIDTH TOEBOARD SETS | 1 |
| 7 | P3RD | DOUBLE WIDTH 3 RUNG SPAN | 1 |
| 8 | P3RLD | DOUBLE WIDTH 3 RUNG LADDER | 1 |
| 9 | PDB1 | 2.205M DIAGONAL BRACES | 2 |
| 10 | KOU1 | D BUCKLE | 4 |



Images for reference Only